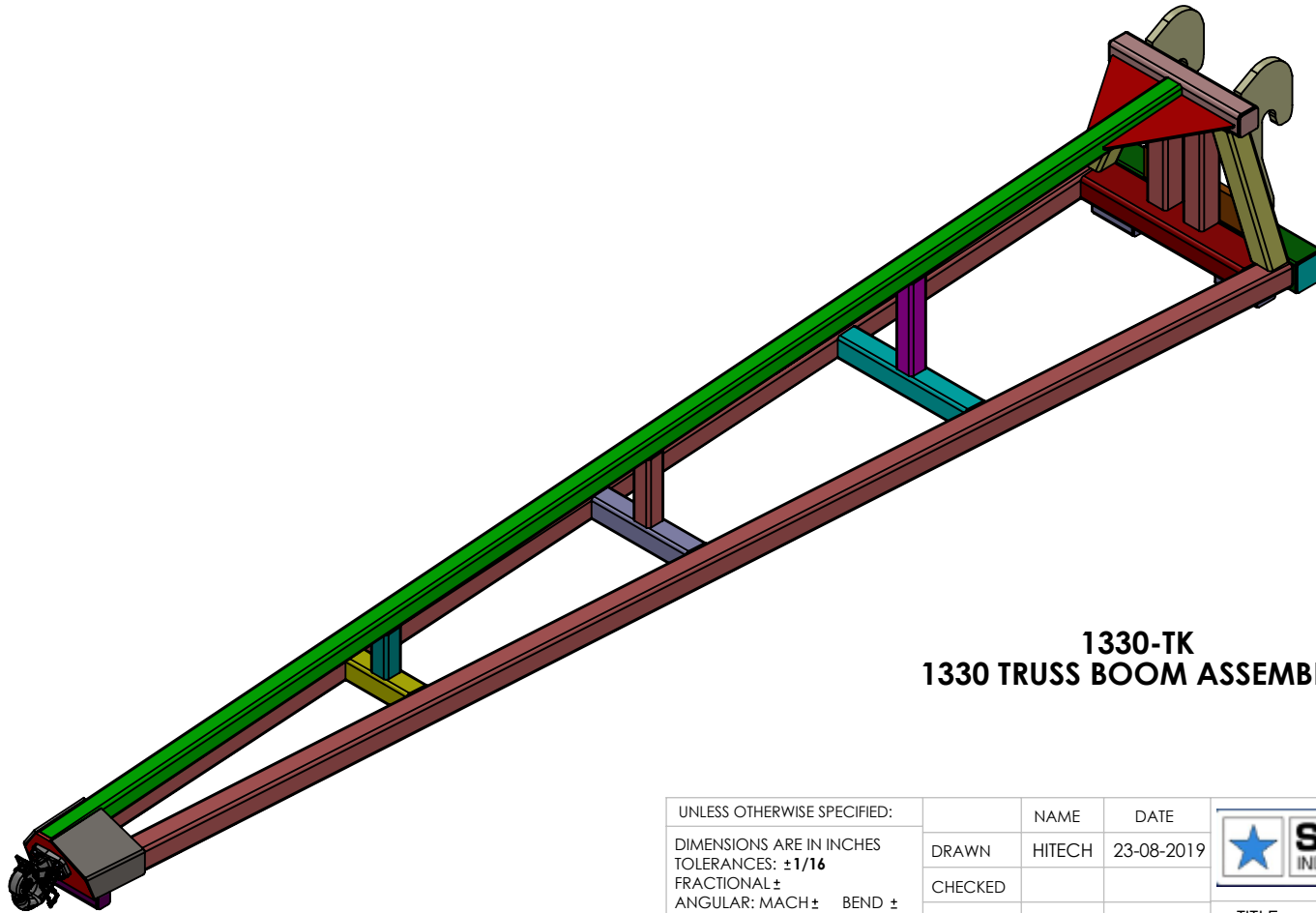


ITEM NO.	PART NUMBER	DESCRIPTION	MATERIAL	QTY
1	1330	1330 TRUSS BOOM ASSEMBLY	REFER PARTS DETAILS	1
2	1400-21TK-ASSY	TK SERIES TRUSS BOOMS QUICK TACH ASSEMBLY	REFER PARTS DETAILS	1
3	PH6 PINTLE HITCH	PH6 PINTLE HITCH	REFER PARTS DETAILS	1
4	1000-0306A	HEX BOLT-1/2"-13-UNC-1.5LG-GR-8	STEEL	4
5	1000-0306B	HEX NUT 1/2"-13-UNC-GR-8	STEEL	4



**1330-TK
1330 TRUSS BOOM ASSEMBLY**

PROPRIETARY AND CONFIDENTIAL
THE INFORMATION CONTAINED IN THIS DRAWING IS THE SOLE PROPERTY OF STAR INDUSTRIES. ANY REPRODUCTION IN PART OR AS A WHOLE WITHOUT THE WRITTEN PERMISSION OF STAR INDUSTRIES IS PROHIBITED.

UNLESS OTHERWISE SPECIFIED:
DIMENSIONS ARE IN INCHES
TOLERANCES: $\pm 1/16$
FRACTIONAL \pm
ANGULAR: MACH \pm BEND \pm
TWO PLACE DECIMAL \pm
THREE PLACE DECIMAL \pm

INTERPRET GEOMETRIC TOLERANCING PER:
MATERIAL REFER PARTS DETAILS
FINISH

DO NOT SCALE DRAWING

	NAME	DATE
DRAWN	HITECH	23-08-2019
CHECKED		
ENG APPR.		
MFG APPR.		
Q.A.		

COMMENTS:



STAR INDUSTRIES

TITLE:

1330 TRUSS BOOM ASSEMBLY

SIZE
A

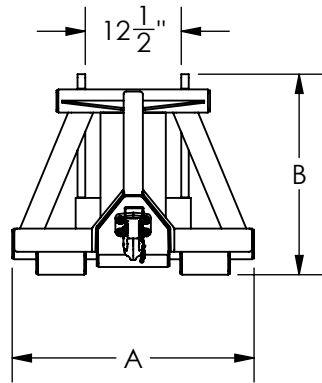
DWG. NO.
1330-TK-DLR

REV
0

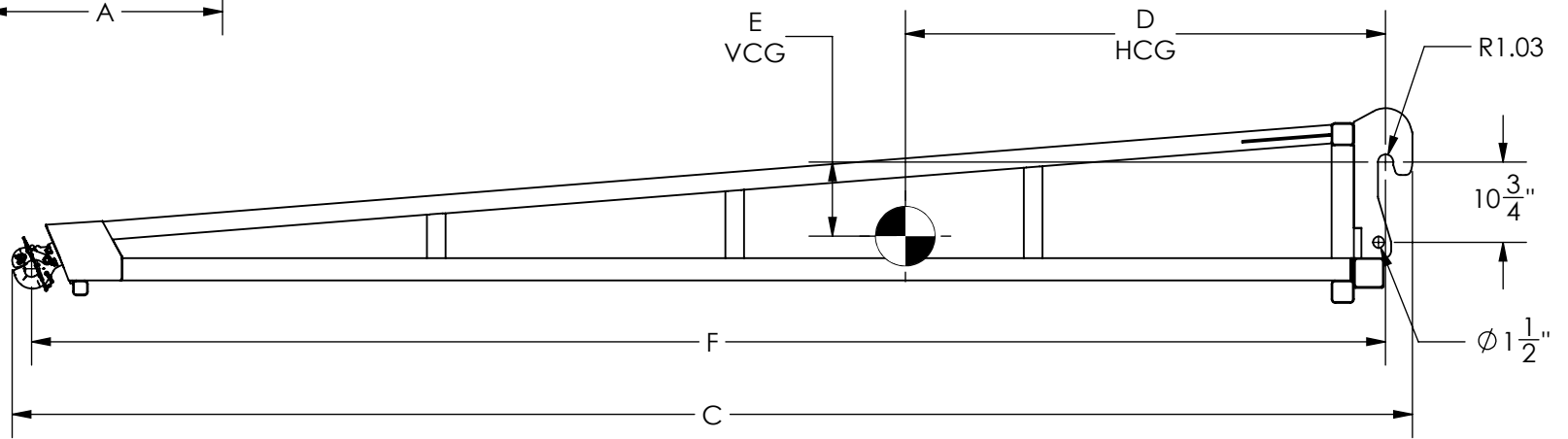
SCALE: 1:20

WEIGHT: 645.61 LBS

SHEET 1 OF 2



**1330-TK
1330 TRUSS BOOM ASSEMBLY**



MODEL NO.	A	B	C	D	E	F	RATED CAPACITY	EMPTY WEIGHT
1330-TK	31 1/2"	26 1/16"	187 5/8"	63 5/16"	10 1/16"	181 1/2"	2,000 lbs.	645.61

SIZE A	DWG. NO. 1330-TK-DLR	REV 0
SCALE: NTS	WEIGHT: 645.61 LBS	SHEET 2 OF 2