

1310 TRUSS BOOM ASSEMBLY

PROPRIETARY AND CONFIDENTIAL
 THE INFORMATION CONTAINED IN THIS DRAWING IS THE SOLE PROPERTY OF STAR INDUSTRIES. ANY REPRODUCTION IN PART OR AS A WHOLE WITHOUT THE WRITTEN PERMISSION OF STAR INDUSTRIES IS PROHIBITED.

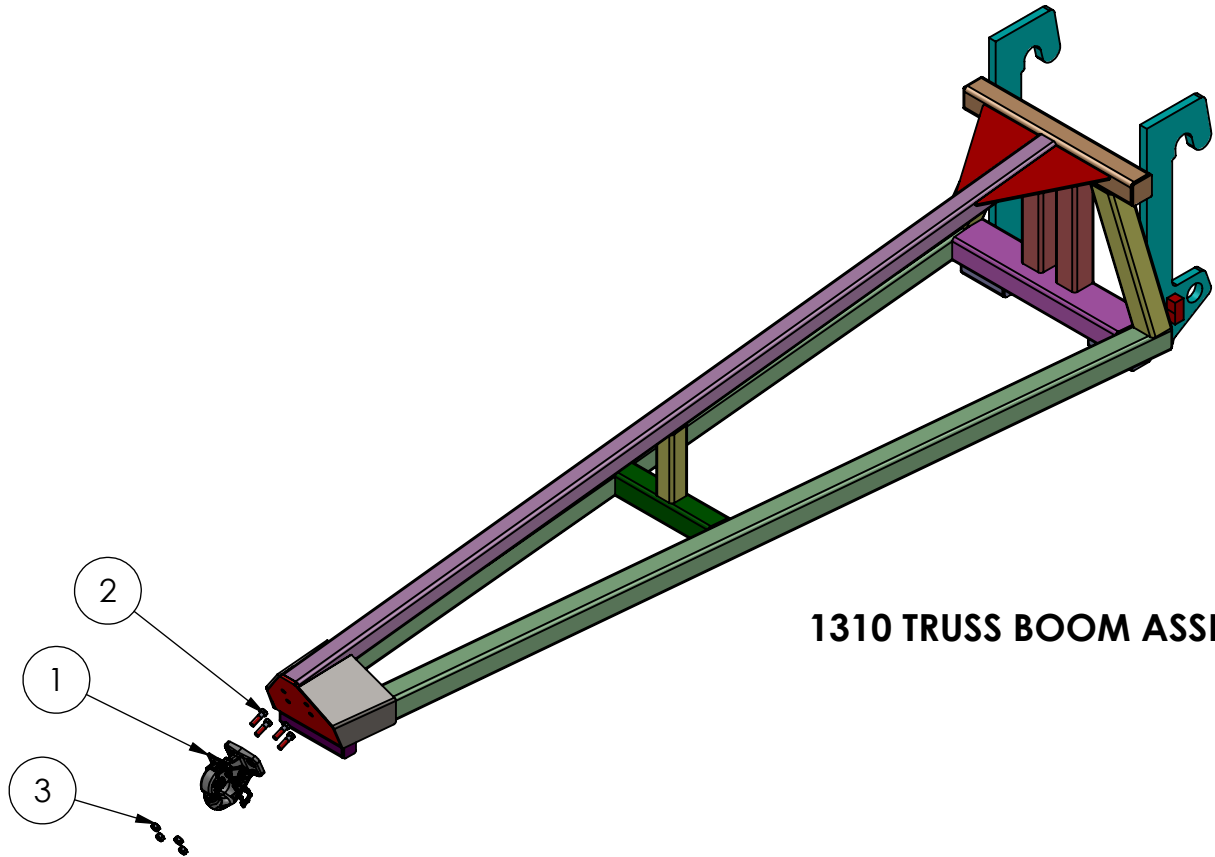
UNLESS OTHERWISE SPECIFIED:	NAME	DATE
DIMENSIONS ARE IN INCHES	DRAWN	HITECH 9/4/2019
TOLERANCES: $\pm 1/16$	CHECKED	
FRACTIONAL \pm	ENG APPR.	
ANGULAR: MACH \pm BEND \pm	MFG APPR.	
TWO PLACE DECIMAL \pm	Q.A.	
THREE PLACE DECIMAL \pm	COMMENTS:	
INTERPRET GEOMETRIC TOLERANCING PER:		
MATERIAL REFER PARTS DETAILS		
FINISH		
DO NOT SCALE DRAWING		



TITLE:
 1310 TRUSS BOOM ASSEMBLY

SIZE A	DWG. NO. 1310-REPLACEABLE PARTS	REV 0
SCALE: 1:20	WEIGHT: 477.12 LBS	SHEET 1 OF 2


ITEM NO.	PART NUMBER	DESCRIPTION	MATERIAL	QTY
1	1000-0306	PH6 PINTLE HITCH	REFER PARTS DETAILS	1
2	1000-0306A	HEX BOLT-1/2"-13-UNC-1.5Lg-GR-8	STEEL	4
3	1000-0306B	HEX NUT 1/2"-13-UNC-GR-8	STEEL	4



1310 TRUSS BOOM ASSEMBLY

PROPRIETARY AND CONFIDENTIAL
 THE INFORMATION CONTAINED IN THIS DRAWING IS THE SOLE PROPERTY OF STAR INDUSTRIES. ANY REPRODUCTION IN PART OR AS A WHOLE WITHOUT THE WRITTEN PERMISSION OF STAR INDUSTRIES IS PROHIBITED.

UNLESS OTHERWISE SPECIFIED:		NAME	DATE
DIMENSIONS ARE IN INCHES TOLERANCES: $\pm 1/16$ FRACTIONAL \pm ANGULAR: MACH \pm BEND \pm TWO PLACE DECIMAL \pm THREE PLACE DECIMAL \pm		DRAWN	HITECH 9/4/2019
INTERPRET GEOMETRIC TOLERANCING PER:		CHECKED	
MATERIAL	REFER PARTS DETAILS	ENG APPR.	
FINISH		MFG APPR.	
DO NOT SCALE DRAWING		Q.A.	
		COMMENTS:	

 STAR INDUSTRIES		
TITLE: 1310 TRUSS BOOM ASSEMBLY		
SIZE A	DWG. NO. 1310-REPLACEABLE PARTS	REV 0
SCALE: 1:20	WEIGHT: 477.12 LBS	SHEET 2 OF 2