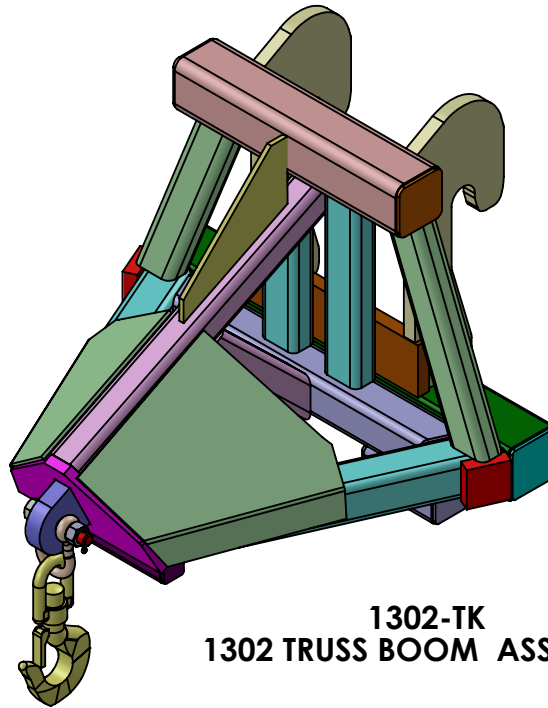


ITEM NO.	PART NUMBER	DESCRIPTION	MATERIAL	QTY
1	1302	1302 TRUSS BOOM	REFER PARTS DETAILS	1
2	1400-21TK-ASSY	TK SERIES TRUSS BOOMS QUICK TACH ASSEMBLY	REFER PARTS DETAILS	1
3	1000-0231	3/4" - 7 TON BOLTED ANCHOR SHACKLE	CARBON STEEL	1
4	1000-0260	5 TON SWVL HOOK W/LATCH	ALLOY STEEL	1



1302-TK
1302 TRUSS BOOM ASSEMBLY

UNLESS OTHERWISE SPECIFIED:

DIMENSIONS ARE IN INCHES
TOLERANCES: $\pm 1/16$
FRACTIONAL \pm
ANGULAR: MACH \pm BEND \pm
TWO PLACE DECIMAL \pm
THREE PLACE DECIMAL \pm

INTERPRET GEOMETRIC
TOLERANCING PER:

MATERIAL
REFER PARTS DETAILS

FINISH

DO NOT SCALE DRAWING

NAME DATE

DRAWN HI-TECH 8/9/2019

CHECKED

ENG APPR.

MFG APPR.

Q.A.

COMMENTS:



STAR INDUSTRIES

TITLE:

1302 TRUSS BOOM ASSEMBLY

SIZE

A

DWG. NO.

1302-TK-DLR

REV

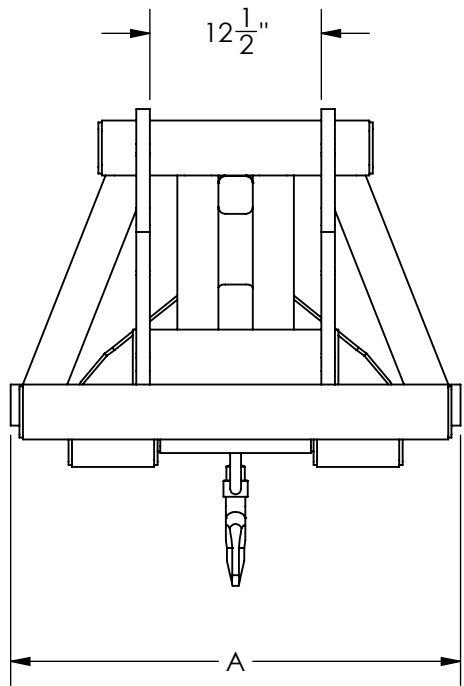
0

SCALE: 1:12

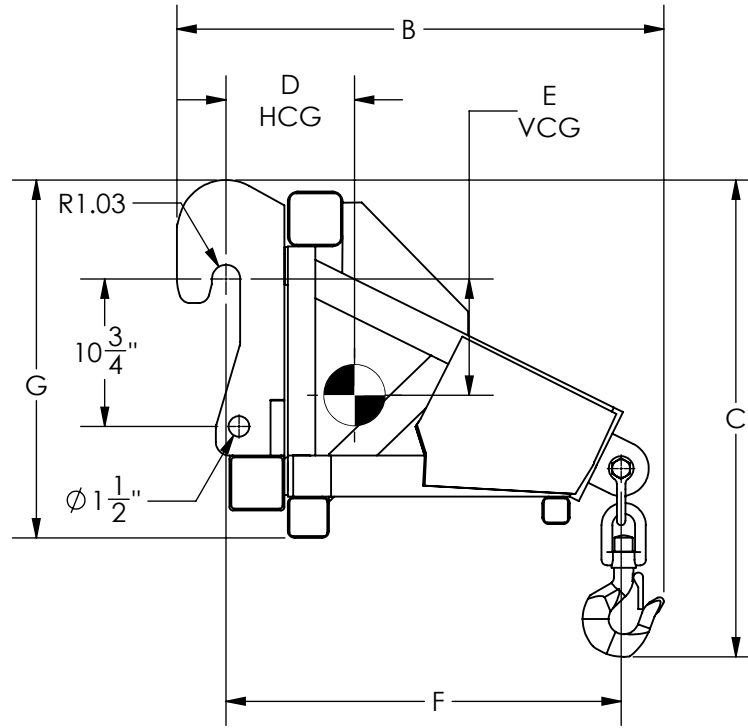
WEIGHT: 321.40 LBS

SHEET 1 OF 2

PROPRIETARY AND CONFIDENTIAL
THE INFORMATION CONTAINED IN THIS
DRAWING IS THE SOLE PROPERTY OF
STAR INDUSTRIES. ANY
REPRODUCTION IN PART OR AS A WHOLE
WITHOUT THE WRITTEN PERMISSION OF
STAR INDUSTRIES IS PROHIBITED.



**1302-TK
1302 TRUSS BOOM ASSEMBLY**



**1302-TK
1302 TRUSS BOOM ASSEMBLY**

MODEL NO.	A	B	C	D	E	F	G	RATED CAPACITY	EMPTY WEIGHT
1302-TK	32 13/16"	35 1/2"	34 3/4"	9 1/8"	8 13/16"	28 13/16"	26 1/16"	10,000 lbs.	321.40

SIZE A	DWG. NO. 1302-TK-DLR	REV 0
SCALE: NTS	WEIGHT: 321.40 LBS	SHEET 2 OF 2