



FORKLIFT

QUICK-TACH TRUSS BOOM

Operator's Manual
 for Model **1302, 1302-12K & 1303-GN15K**



BEFORE USE, READ AND UNDERSTAND THE COMPLETE OPERATOR'S MANUAL.

If you need clarification or any additional information call your Star dealer or call Star Industries @ 1-800-541-1797 during normal business hours.

Model No.	Size	Capacity	Weight
1302	2 ft.	10,000 lbs.	± 335 lbs.
1302-12K	2 ft.	12,000 lbs.	± 335 lbs.
1303-GN15K	2 ft.	15,000 lbs.	556 lbs.

Model 1302/1303 2 Ft Truss Boom:

Star model 1302/1302-12K and 1303-GN15K 2 ft Quick-Tach truss Boom is designed for use on extendable-reach forklifts and is available with a quick-tach that is compatible with a specified make and model of telehandler. It has been engineered to a 3 to 1 factor of safety and is designed so that the hook is positioned at the 2 foot load center of the telehandler. Star Industries has been manufacturing telehandler attachments for approximately 25 years and has earned an excellent safety record. In addition, Star attachments have proven themselves repeatedly on all types of jobs all over the United States as well as in Canada, Mexico and South America.

Please be aware that the information contained in this manual is intended as a guide and does not replace the need for the user to know, understand, and observe all applicable company, local, state, and federal safety codes and/or requirements. In addition, any relevant safety requirements or recommendations contained in the telehandler operator's manual must be observed.

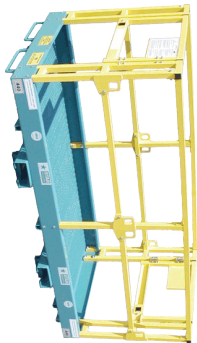
BEFORE USE, READ AND UNDERSTAND THE COMPLETE OPERATOR'S MANUAL.

If you need clarification or any additional information call your Star dealer or call Star Industries @ 1-800-541-1797 during normal business hours.

Customers Who Bought this product also bought



Lift Hooks -
 Lift up to 22,000 lbs
 Safely and securely



Safety Work Platforms -
 Turn your forklift into an
 Aerial work platform



Concrete Hoppers -
 Turns Your forklift into
 A concrete placer.

Visit www.starindustries.com or call us at 800-541-1797 for more information on these and other great products.

Before Use:

Make sure the operator is well qualified to operate the specific telehandler model to be used, has read and understands this manual and has reviewed the telehandler operator's manual for any additional requirements, limitations, restrictions, or additional safety procedures prescribed by the telehandler manufacturer when using this type of attachment. The telehandler operator must also be properly certified under OSHA requirements to operate the telehandler to be used.

Inspect the Truss Boom to make sure it is in good condition. There must not be any broken welds, deformation of the steel tube or other component, nor any cracks in the steel. Inspect the swivel hook and shackle to make sure they are complete, are in good condition, and that shackle anchor screw pin is screwed in tight. Make sure the Truss Boom quick-tach is fully compatible with the specific telehandler being used. Make sure the quick-tach retaining pin(s) are systems are properly engaged. Check that all decals are in place and legible. The following decals are required: "Product Label", "Empty Weight", and "Rated Lift Capacity". Replacement decals are available from a Star dealer. If any defects or damage are found discontinue use until corrections or a safety assessment can be made by qualified personnel.

Make sure personnel involved understand any hand signals that will be required and all involved personnel understand what will be required of them.

Make sure the travel path is clear of obstructions and that adequate clearance will be maintained from all power lines.

Rated Capacities:

The rated capacity as shown in specifications also appears on the Truss Boom decal. Be aware that this capacity is for the Truss Boom itself and does not in any way reflect the capacity of the telehandler. Refer to the telehandlers operator's manual for capacity ratings and any limitations or restrictions when using this type of attachment.

The weight of the Truss Boom is typically less than the weight of the forks and carriage that have been removed to install the truss boom. Further more the 24" standard load center has been maintained on the truss boom with the position of the hook. In view of these factors the telehandler's standard fork load chart should be applicable. If there is any question as to the forklift's lifting capacities when using this attachment, contact the telehandler manufacturer for clarification.

WARRANTY PROCEDURE:

Upon notification, Star Industries will advise if the product will need to be returned to Star Industries for inspection and/or repair, or If the Star Dealer, or other entity, can be authorized to make the inspection/repair at their location, or if circumstances dictate other solutions. Dealer or other entity repairs must have prior written authorization. A "cost of repair" estimate will be required prior to authorization. Reimbursement will be at the current "Star Warranty Labor Rate" and will not include reimbursement for off-site travel. A Warranty Claim Form must be submitted within 45 days of warranty repair authorization to receive credit for repair. A return authorization number must be obtained from Star Industries before a product can be returned for inspection and/or warranty and that number must appear on the return shipping label. Upon inspection, Star Industries will determine if the product is defective and if so, whether it will be repaired or replaced. Repair or replacement is at the discretion of Star Industries. Transportation charges to Star Industries are not covered under the warranty and must be prepaid by dealer or customer unless it is within the first two years of warranty. In which case, if evidence acceptable to Star Industries, is provided that the product is defective and the return is from within the continental United States or Canada, Star will arrange for return shipment at Star Industries expense. Products found to be defective within the initial two year period and returned to Star Industries for repair or replacement will be returned to the dealer or customer freight prepaid providing it is within the continental United States or Canada. Warranted products to be shipped outside the United States or Canada and those warranted after the initial 2 years will be shipped freight collect. Unwarrantable products will be returned freight collect at the request of the dealer or customer, otherwise they will be destroyed.

LIMITATION OF DAMAGES:

Star's obligation under this warranty shall not include costs of installation, duty, taxes or any other charges whatsoever or any liability for direct, indirect, incidental or consequential damages or delay. Star's liability for any and all losses and damage to purchaser resulting from any cause whatsoever, including negligence or breach of form of warranty, express or implied by Star, alleged damage for defective goods, irrespective of whether such defects are discoverable or latent, shall in no event exceed the purchase price of the particular goods. Products repaired or replaced under this warranty are warranted only for the remainder of the original warranty. Any improper use including operation after discovery of defective or worn parts not approved by Star or any alteration or repair by others in such manner as in Star's judgment affects the product materially and adversely shall void this warranty.

THE FOREGOING WARRANTIES ARE EXCLUSIVE AND ARE IN LIEU OF ALL OTHER WARRANTIES (WHETHER WRITTEN, ORAL OR IMPLIED) INCLUDING WARRANTIES OF MERCHANTABILITY AND WARRANTY OF FITNESS FOR A PARTICULAR PURPOSE.

STAR INDUSTRIES LIMITED WARRANTY

Star Products are warranted to the original purchaser against defective workmanship and/or materials (when properly installed, used, and maintained) for a period as specified below from date of delivery to the customer by an authorized Star Dealer or direct from Star Industries. This warranty does not cover misuse, abuse, normal wear and tear, or accidental damage.

5 year Warranty:	All Star products except as noted below. (Includes HD Auger Drives & most non-hydraulic products)
2 year Warranty:	Medium Duty Auger Drives
1 year Warranty:	Auger Bits and Auger Accessories (excludes auger drives), Crane Forks, Grapples, Angle Broom, Self Dumping Hoppers, Replacement Forks, and Over the Bucket Forks
6 month Warranty:	Concrete Mixers

WARRANTY CLAIM NOTIFICATION:

Product defects should be reported to the Star dealer from whom the product was purchased or to Star Industries in writing promptly after discovery. Preferably photographs showing the defect should also be provided along with a written report of circumstances involved. Warranty claims not made within 30 days after discovery of the defect shall be null and void.

WARRANTY DETERMINATION:

If a warranty claim is found worthy and made within the warranty period we reserve the right at our discretion to repair existing defects or to replace it with the same or current model free of charge or to issue a credit for the reasonable cost of repair or take possession of the equipment and issue reimbursement for the calculated value.

Furthermore, never exceed the rated capacities of the truss boom except for the purpose of a test and then do not exceed 125% of its rated capacity. Never exceed the capacity of the telehandler. Also make sure that the load rating for slings, chains, or straps used with the Truss Boom are equal to or exceed the rating of both the telehandler and Truss Boom, if not; always limit the load to the lowest rated part of the lifting system.

Please keep aware that telehandler rated load capacities will vary with boom position. When the truss boom is elevated the rated lift capacity will decrease and likewise when the boom is extended the rated capacity will be decreased. Refer to the telehandler load chart for capacities for various boom positions.

Use

When using the Truss Boom it must remain level or tilted slightly upward. The Truss Boom is designed for vertical lift only and must not be used to pull a load. When lifting a load, the area below the lift should be clear of personnel. All personnel must maintain a safe distance away from danger area should a failure occur.

Caution:

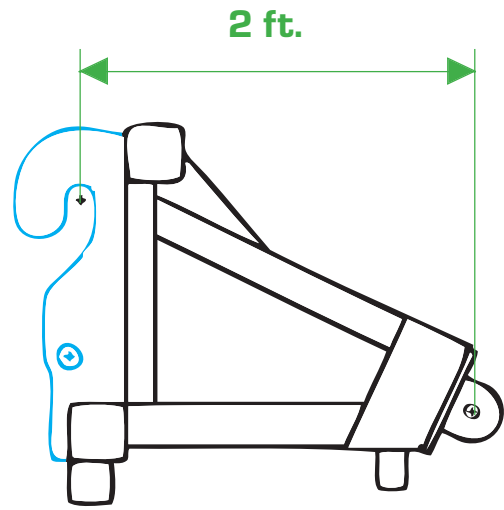
1. Risks are high for serious injury or death when working around suspended loads. The operator must avoid carrying the load over people and it is best to have a 10 foot clear radius. This requires that no one is allowed to be within 10 feet of the area in which the load would fall if a failure occurred.
2. Do not allow anyone to ride on the truss boom nor on the load being carried.
3. Do not make any repairs or modifications to the Truss Boom without written authorization from the manufacturer. Replacement of hooks, shackles, and decals does not require authorization.

Safety Precautions:

1. Before elevating the load, make sure the telehandler boom is level - not leaning to the right or left. Do not use the Truss Boom when operating on a side slope.
2. Before the load is raised make sure slings, chains, or straps are properly secured and are not twisted around each other or entangled.
3. The load must be picked up so that it is equally balanced and hangs level.
4. When lifting a load, guard against shock loading by taking up the slack in slings or straps slowly. Prevent jerking at the beginning of the lift, and accelerate or decelerate slowly.

5. Do not use the Truss Boom to drag or pull a load.
6. Do not leave suspended loads unattended.
7. Take care that the load does not swing or come in contact with an obstruction.
8. Keep all personnel clear while the load is being raised, moved, or lowered. Telehandler operator should be watchful of the load at all times, especially when it is in motion.
9. Never allow more than one person to give signals to the telehandler operator except to warn of a hazardous situation.
10. Never raise or carry the load higher than necessary.
11. Never allow anyone to work under a suspended load.
12. Never exceed rated capacity of any part of the lifting system.
13. Never allow anyone to ride on Truss Boom or on the load being carried.
14. Telehandler operator must be properly trained and have required certifications.
15. Before using the Truss Boom check to see that it is properly secured to the telehandler as described in the installation section and that the shackle and hook are properly secured and screw pins are tight.
16. Determine that the loads to be handled are within the capabilities of the forklift. Keep in mind that rated capacities will likely decrease when the boom is in a raised position, or when the boom is extended.
17. When using the Truss Boom it should be level or tipped upward (never down below level).
18. Do not pull loads – it is designed for vertical lift only.
19. The load should always be carried low and kept from swinging using tag lines as necessary. Any time a load is raised, extreme caution should be exercised as the telehandler is far more vulnerable to tipping with a raised load.
20. Any time the load is raised make sure the telehandler is on level, firm footing.

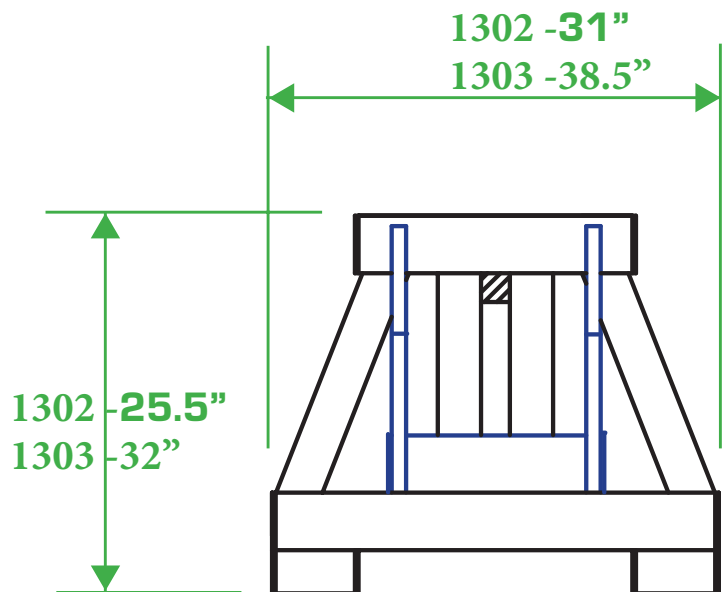
21. Refer to the telehandler operator’s manual for more information on handling elevated loads as well as information for safe and proper telehandler operation.
22. Always comply with all local, state, and federal Safety regulations.



Models 1302, 1302-12K & 1303-GN15K

2 ft. Truss Boom

(Supplied with bolted shackle & swivel hook with latch)



“Low Profile” Truss Boom Rear View