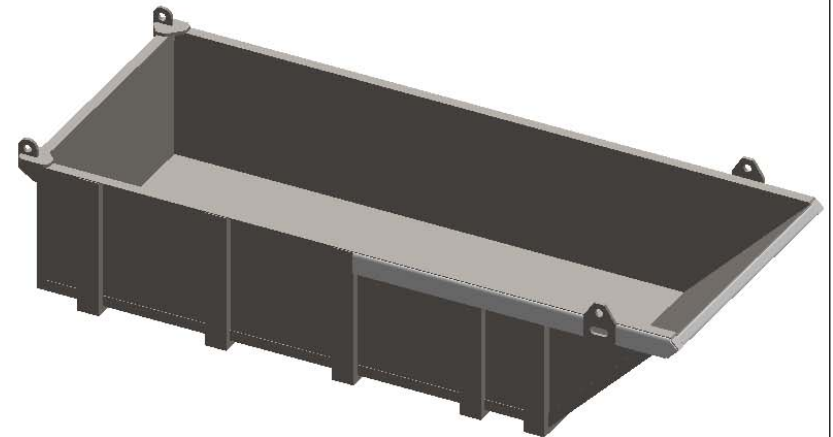


MAX. LOAD CAPACITY - 9,000 lbs.  
 STRUCK VOLUME 2.7 CUYDS.



**PROPRIETARY AND CONFIDENTIAL**  
 THE INFORMATION CONTAINED IN THIS DRAWING IS THE SOLE PROPERTY OF <INSERT COMPANY NAME HERE>. ANY REPRODUCTION IN PART OR AS A WHOLE WITHOUT THE WRITTEN PERMISSION OF <INSERT COMPANY NAME HERE> IS PROHIBITED.

SHACKLE PLATES DETAIL -4/13/17		UNLESS OTHERWISE SPECIFIED:  DIMENSIONS ARE IN INCHES TOLERANCES: FRACTIONAL ± ANGULAR: MACH ± BEND ± TWO PLACE DECIMAL ± THREE PLACE DECIMAL ±  INTERPRET GEOMETRIC TOLERANCING PER: MATERIAL FINISH	NAME	DATE	<b>STAR INDUSTRIES</b>  TITLE: <b>MODEL 1450B CRANE TRASH SKIP</b>
			DRAWN	PK 9/15/14	
			CHECKED		
			ENG APPR.		
			MFG APPR.		
			Q.A.		COMMENTS:
NEXT ASSY	USED ON				
APPLICATION		DO NOT SCALE DRAWING			
		SIZE	DWG. NO.	REV	
		<b>A</b>	<b>MODEL 1450B DLR DWG</b>		
		SCALE: 1:32	WEIGHT: 1303	SHEET 1 OF 1	