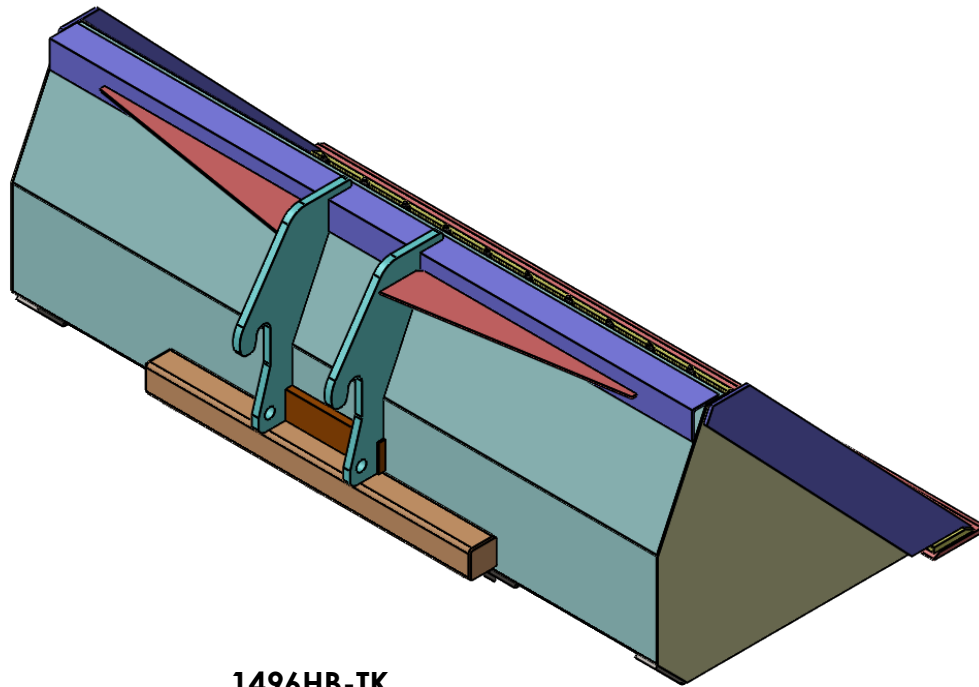


ITEM NO.	PART NUMBER	DESCRIPTION	MATERIAL	QTY
1	1496HB	95" HIGH BACK QUICK-TACH BUCKET	REFER PARTS DETAILS	1
2	1400-22HBTk-ASSY	SKYTRAK HB BUCKET QT ASSY	REFER PARTS DETAILS	1
4	D15993	DBFC 5/8" X 8" X 97 7/8" BLADE W/ 16 HOLES	ASTM A36 STEEL	1
8	BOB-01B	5/8-11 X 2 1/2" UNC PLOW BOLT-GRADE 5	STEEL	16
9	BOB-01N	NYLON INSERT LOCKNUT, 5/8-11 UNC	STEEL	16



1496HB-TK
95" HIGH BACK SKYTRAK COMPATIBLE
QUICK-TACH BUCKET

UNLESS OTHERWISE SPECIFIED:

DIMENSIONS ARE IN INCHES
 TOLERANCES: $\pm 1/16$
 FRACTIONAL \pm
 ANGULAR: MACH \pm BEND \pm
 TWO PLACE DECIMAL \pm
 THREE PLACE DECIMAL \pm

INTERPRET GEOMETRIC
 TOLERANCING PER:

MATERIAL
 REFER PARTS DETAILS

FINISH

DO NOT SCALE DRAWING

NAME DATE

DRAWN HI-TECH 8/3/2019

CHECKED

ENG APPR.

MFG APPR.

Q.A.

COMMENTS:



STAR INDUSTRIES

TITLE:

95" HIGH BACK SKYTRAK
 COMPATIBLE QUICK-TACH
 BUCKET

SIZE

A

DWG. NO.

1496HB-TK-DLR

REV

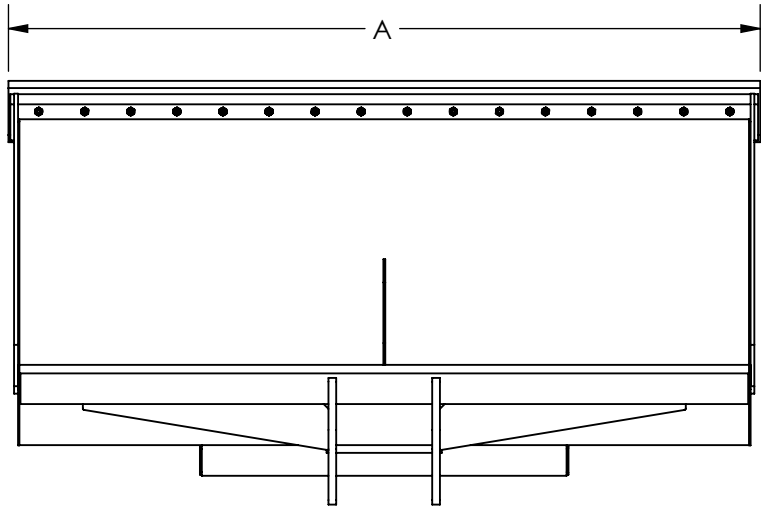
0

SCALE: 1:24

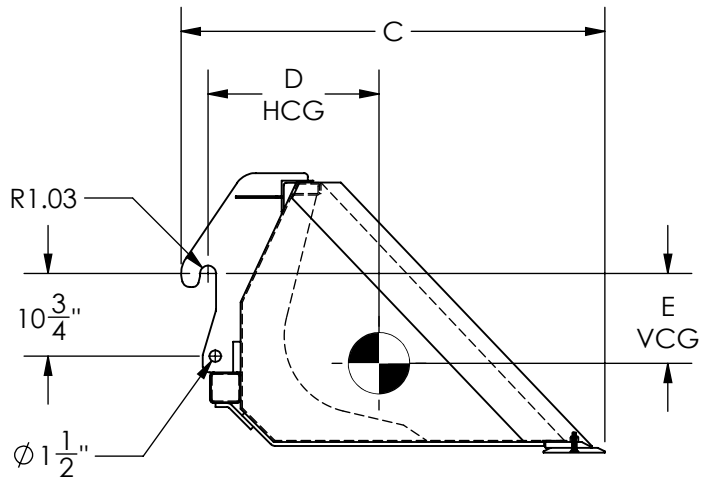
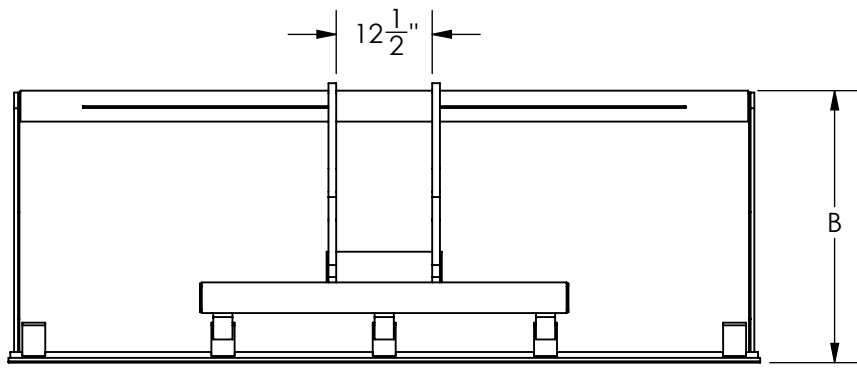
WEIGHT: 1162.92 LBS

SHEET 1 OF 2

PROPRIETARY AND CONFIDENTIAL
 THE INFORMATION CONTAINED IN THIS
 DRAWING IS THE SOLE PROPERTY OF
 STAR INDUSTRIES. ANY
 REPRODUCTION IN PART OR AS A WHOLE
 WITHOUT THE WRITTEN PERMISSION OF
 STAR INDUSTRIES IS PROHIBITED.



1496HB-TK 95" HIGH BACK SKYTRAK COMPATIBLE QUICK-TACH BUCKET



MODEL NO	A	B	C	D	E	BUCKET VOLUME	BUCKET LOAD CAPACITY	EMPTY WEIGHT	LOADED HORZ CG	LOADED VERT CG
1496HB-TK	97 7/8"	35 3/8"	55 3/16"	22 1/4"	11 11/16"	1.65 CYD	5500 LBS	1162.92 LBS	16 7/8"	8 1/4"

ALL SKYTRAKS, MOST JLG TELEHANDLERS MANUFACTURED AFTER OCT 2008, GENIE 6K & 8K , JCB WITH NARROW QUICK-TACH, XTREME MODELS XR842, XR1045, XR1245, XR1055, XR1147, XR1245, XR1255, XR1270, XR1470, SR9244, & SR1054. 12.5" BETWEEN THE EARS

SIZE A	DWG. NO. 1496HB-TK-DLR	REV 0
SCALE: NTS	WEIGHT: 1162.92 LBS	SHEET 2 OF 2