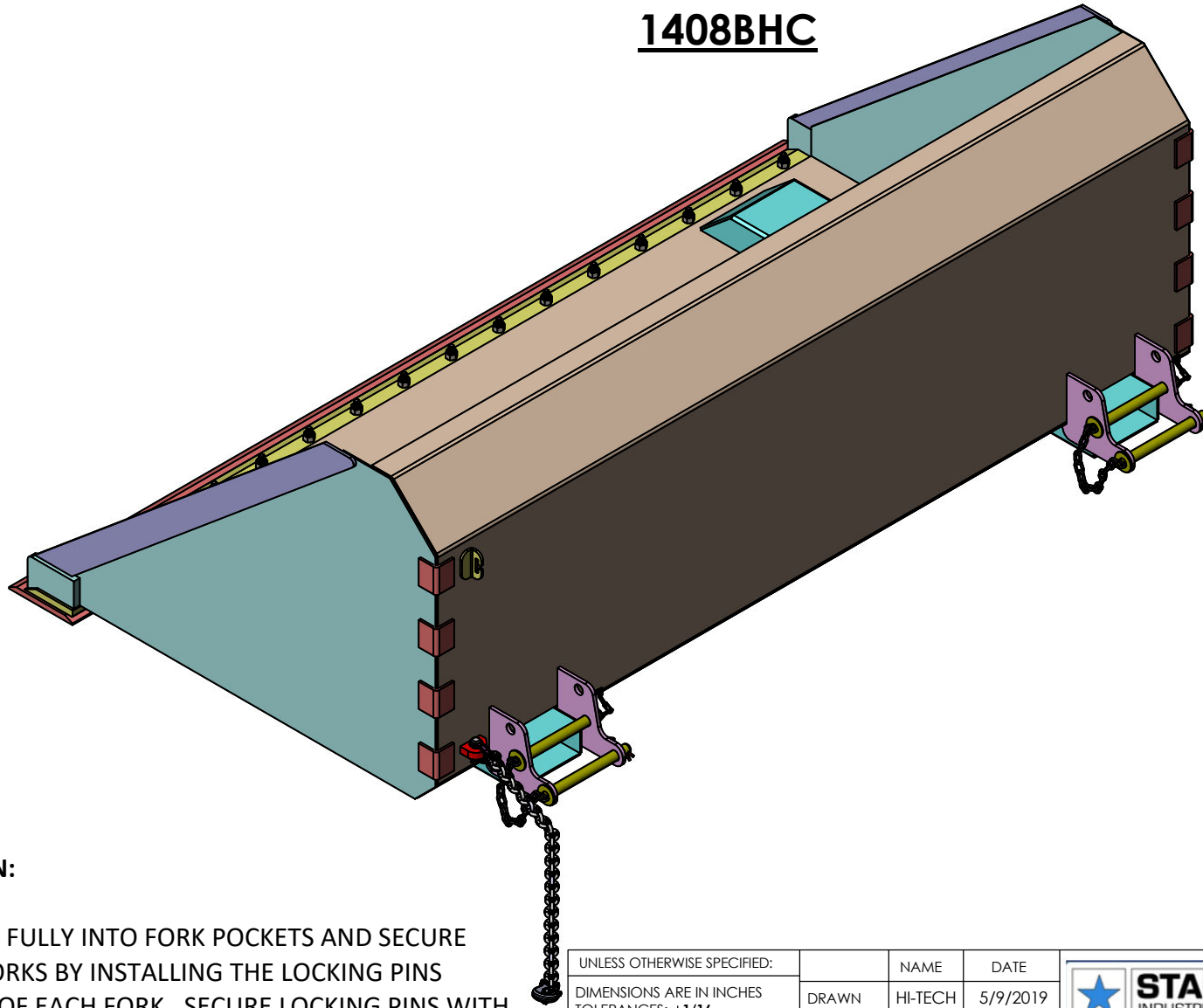


1408BHC



INSTALLATION:

INSERT FORKS FULLY INTO FORK POCKETS AND SECURE BUCKET TO FORKS BY INSTALLING THE LOCKING PINS BEHIND HEEL OF EACH FORK. SECURE LOCKING PINS WITH HAIR PINS. IN ADDITION, WRAP SAFETY CHAIN AROUND A STRONG PART OF CARRIAGE TAKING UP THE SLACK, SECURE BY HOOKING LOCKING GRAB HOOK ONTO CHAIN.

PROPRIETARY AND CONFIDENTIAL
 THE INFORMATION CONTAINED IN THIS DRAWING IS THE SOLE PROPERTY OF STAR INDUSTRIES. ANY REPRODUCTION IN PART OR AS A WHOLE WITHOUT THE WRITTEN PERMISSION OF STAR INDUSTRIES IS PROHIBITED.

UNLESS OTHERWISE SPECIFIED:

DIMENSIONS ARE IN INCHES
 TOLERANCES: $\pm 1/16$
 FRACTIONAL \pm
 ANGULAR: MACH \pm BEND \pm
 TWO PLACE DECIMAL \pm
 THREE PLACE DECIMAL \pm

INTERPRET GEOMETRIC TOLERANCING PER:

MATERIAL

FINISH

DO NOT SCALE DRAWING

	NAME	DATE
DRAWN	HI-TECH	5/9/2019
CHECKED		
ENG APPR.		
MFG APPR.		
Q.A.		

COMMENTS:



STAR INDUSTRIES

TITLE:

1408BHC

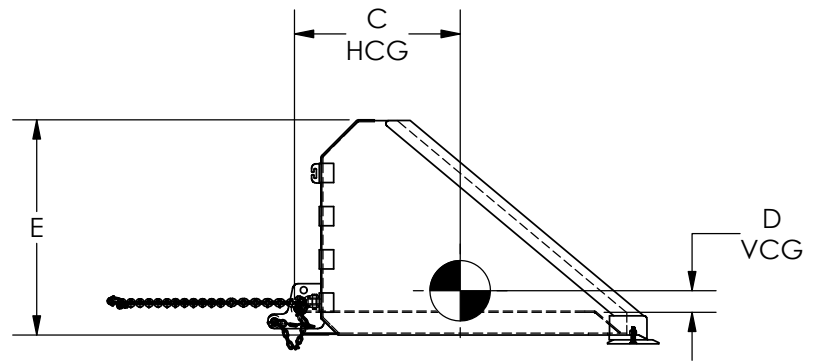
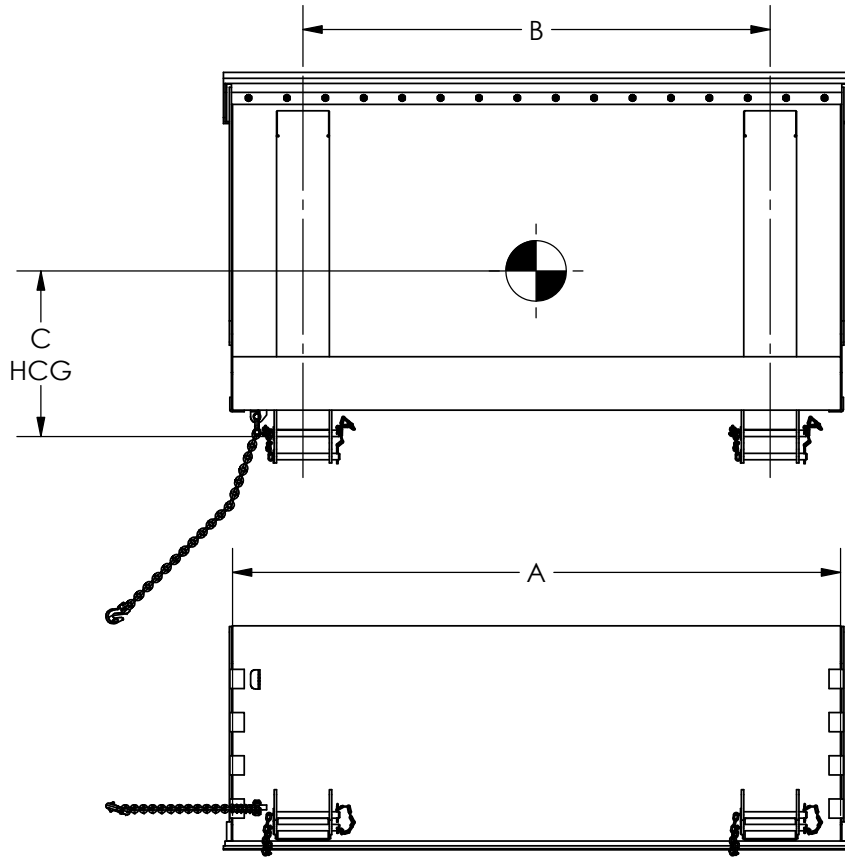
SIZE	DWG. NO.	REV
A	1408BHC-DLR	0

SCALE: 1:15 WEIGHT: 1198.74 LBS SHEET 1 OF 2

- 1) CAUTION: DO NOT OVERLOAD TELEHANDLER.
- 2) SHOWN WITH OPTIONAL BOLT ON BLADE.

1408BHC

FORK POCKETS ACCEPT FORKS UP TO 2.5" THICK AND UP TO 7" WIDE
REQUIRES 48" FORKS



MODEL NUMBER	A	B	C	D	E	VOLUME (CUYD)	LOAD CAPACITY (LBS.)	EMPTY WEIGHT (LBS.)
1408BHC	95"	73"	25 7/8"	3 7/16"	33 5/8"	2.0	6500	1198.74

SIZE A	DWG. NO. 1408BHC-DLR	REV 0
SCALE: 1:30	WEIGHT: 1198.74 LBS	SHEET 2 OF 2