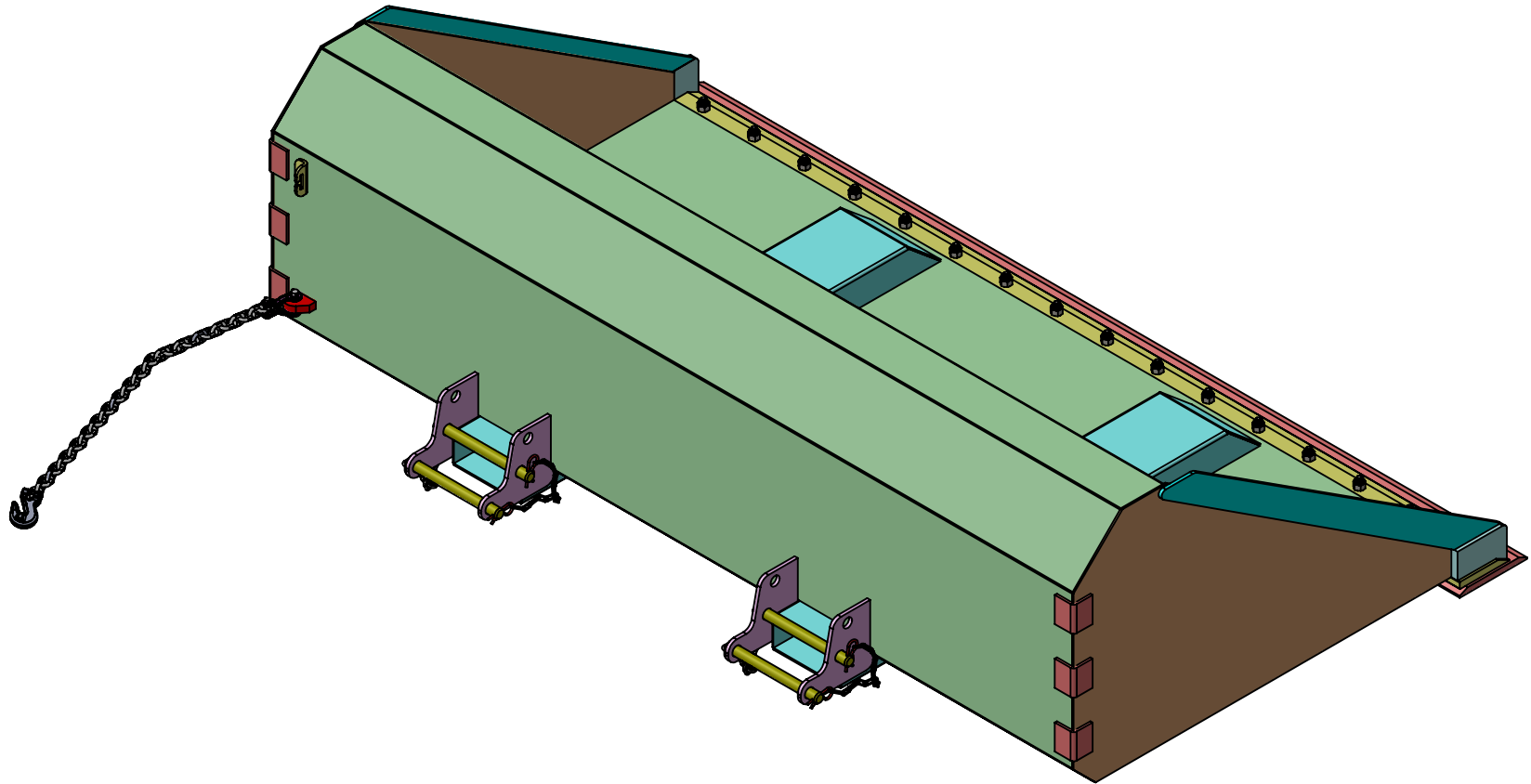


1408B



PROPRIETARY AND CONFIDENTIAL
 THE INFORMATION CONTAINED IN THIS DRAWING IS THE SOLE PROPERTY OF STAR INDUSTRIES. ANY REPRODUCTION IN PART OR AS A WHOLE WITHOUT THE WRITTEN PERMISSION OF STAR INDUSTRIES IS PROHIBITED.

UNLESS OTHERWISE SPECIFIED:

DIMENSIONS ARE IN INCHES
 TOLERANCES: $\pm 1/16$
 FRACTIONAL \pm
 ANGULAR: MACH \pm BEND \pm
 TWO PLACE DECIMAL \pm
 THREE PLACE DECIMAL \pm

INTERPRET GEOMETRIC TOLERANCING PER:

MATERIAL REFER PARTS DETAILS

FINISH

DO NOT SCALE DRAWING

	NAME	DATE
DRAWN	HI-TECH	5/7/2019
CHECKED		
ENG APPR.		
MFG APPR.		
Q.A.		

COMMENTS:



STAR INDUSTRIES

TITLE:

1408B

SIZE

A

DWG. NO.

1408B-REPLACABLE PARTS

REV

0

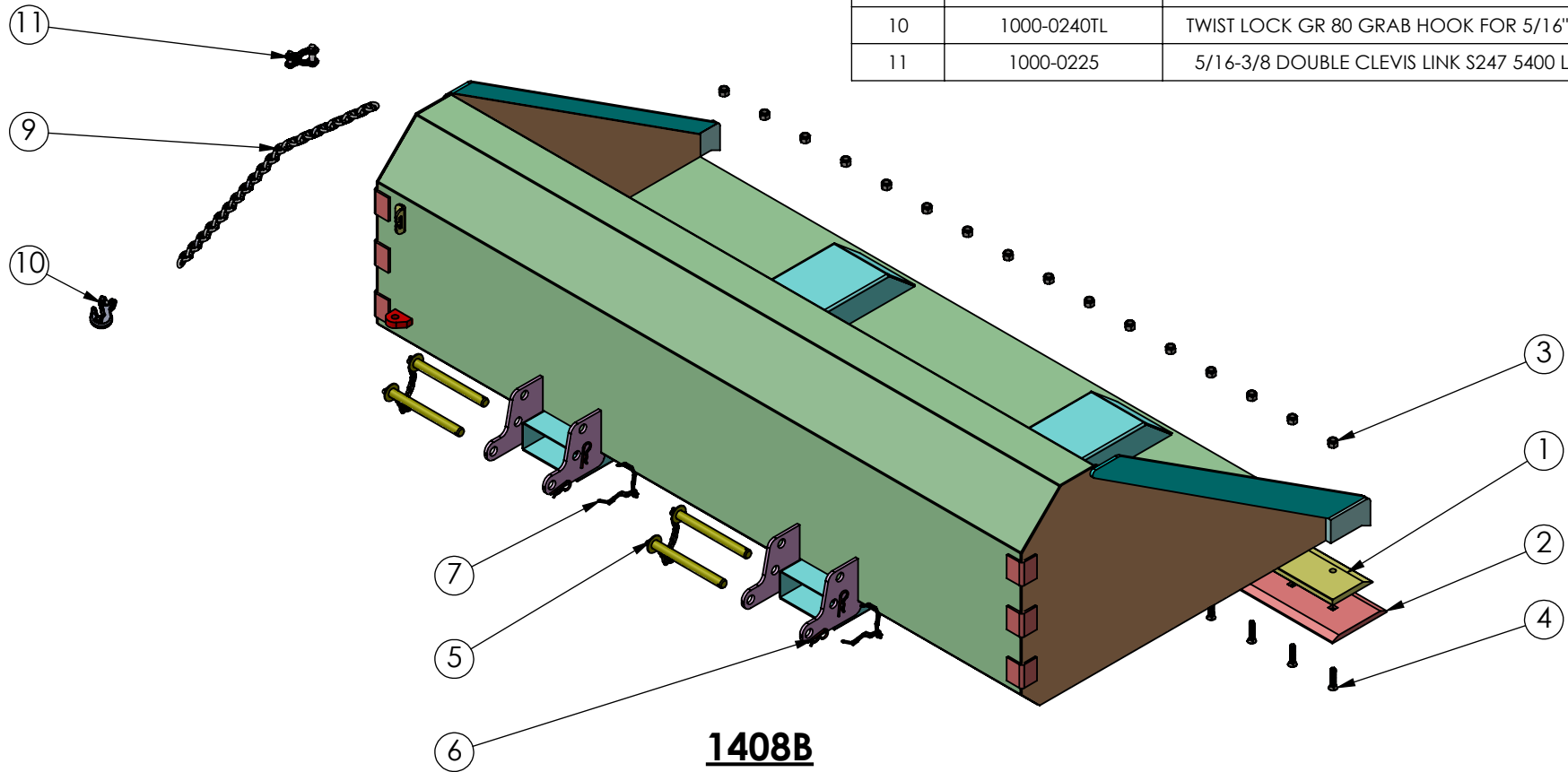
SCALE: 1:15

WEIGHT: 856.87 LBS

SHEET 1 OF 2

Note:- Item number 8 (Safety chain assembly) is combination of Items 9,10 &11.

ITEM NO.	PART NUMBER	DESCRIPTION	QTY.
BUCKET REPLACEABLE PARTS			
1	D15994	SBFC 3/4" X 6" X97 3/8" BLADE W/16 HOLES	1
2	D15993	DBFC 5/8" X 8" X 97 7/8" BLADE W/ 12 HOLES	1
3	0.625-11 NYLOCK NUT	NYLON INSERT LOCKNUT, 5/8-11 UNC	10
4	0.625-11- PLOW BOLT	PLOW BOLT-5/8"-11-UNC-2.5LG-GR-5	10
FORK POCKET ASSEMBLY REPLACEABLE PARTS			
5	1000-0108DBL	DUAL 10 1/4" X 1" LOCKING PINS W/CHAINS	2
6	1000-0109	HAIR PIN 3.5" X 0.177" DIA.	4
7	1000-0204A	#4 STRAIGHT LINK CHAIN	2
CHAIN ASSEMBLY REPLACEABLE PARTS			
8	1000-0115	SAFETY CHAIN ASSEMBLY WITH CLEVIS LINK	1
9	1000-1600	5/16" X36" GRADE 100 CHAIN	1
10	1000-0240TL	TWIST LOCK GR 80 GRAB HOOK FOR 5/16" CHAIN	1
11	1000-0225	5/16-3/8 DOUBLE CLEVIS LINK S247 5400 LB CAP	1



SIZE A	DWG. NO. 1408B-REPLACABLE PARTS	REV 0
SCALE: 1:18	WEIGHT: 856.87 LBS	SHEET 2 OF 2